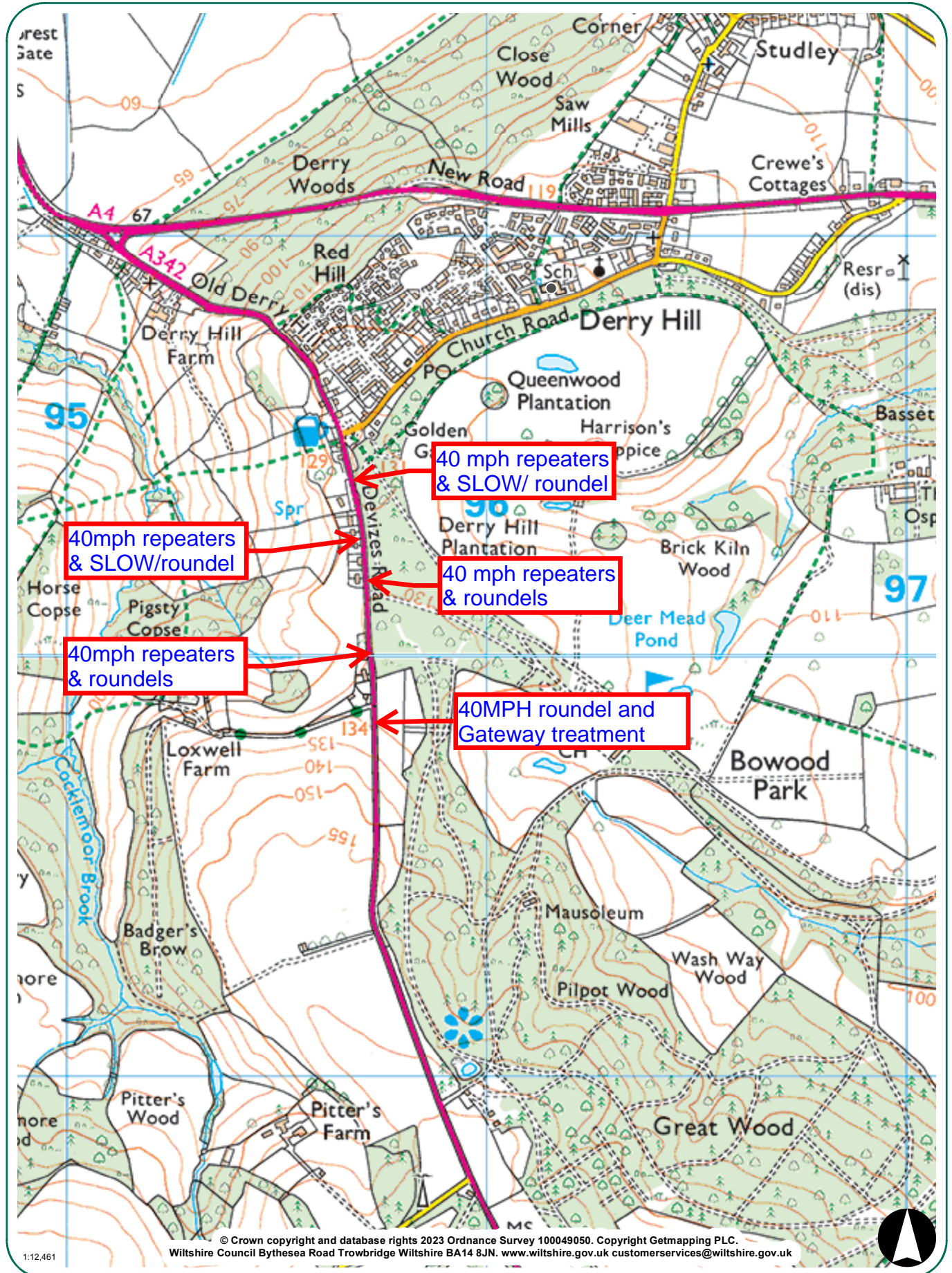
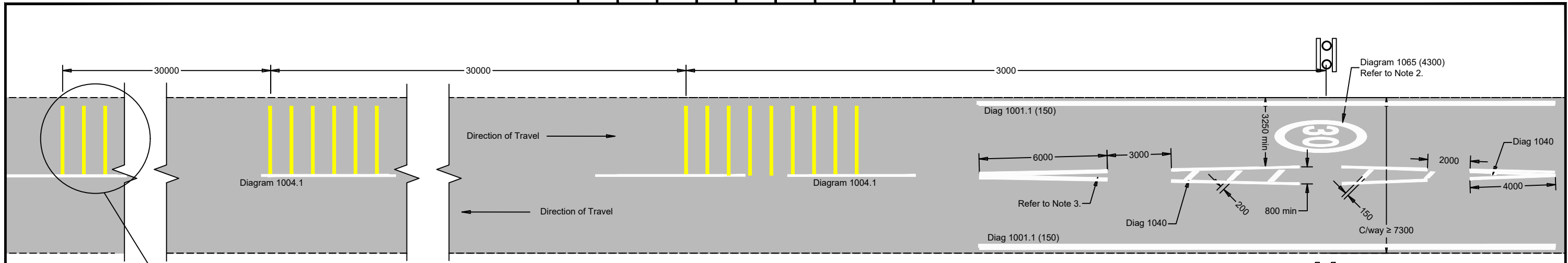
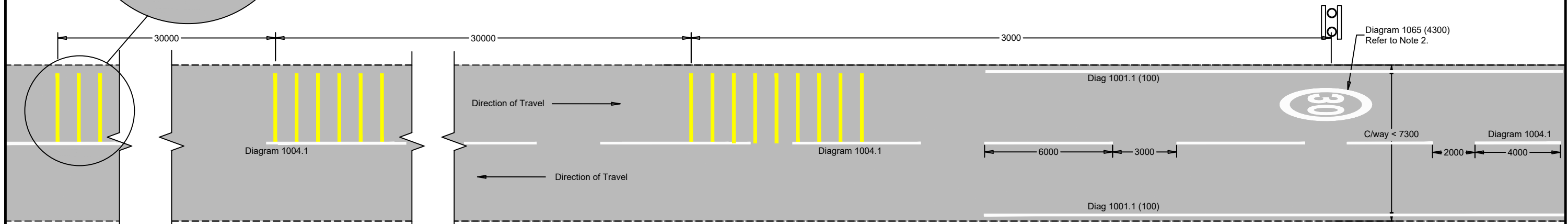
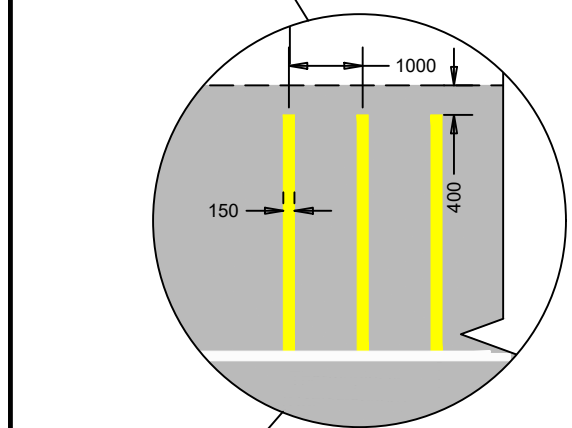


# ArcGIS Web Map





**GATEWAY TYPE C - ROAD WIDTH ≥ 7.30M**



**GATEWAY TYPE D - ROAD WIDTH < 7.30M**

**NOTES**

- 30 / 40 Carriageway roundels to diagram 1065 will typically be 4300mm. On higher speed roads i.e. Dual carriageways a 7500mm roundel should be used.
- Refer to Chapter 5 of 'The Traffic Signs Manual - Road Markings 2018' Table 2-7 for taper detail.
- Traffic signs and road markings shall comply with 'The Traffic Signs Regulations and General Directions 2016'.
- All road markings shall meet the requirements specified in Chapter 5 of the 'The Traffic Signs Manual' Road Markings 2018'.
- All road markings shall be formed in thermoplastic material complying with BS EN1436: Class A.
- Existing road markings to be removed to suit proposed layout.
- Use of this drawing does not absolve the client from his responsibilities under 'The Health & Safety: The Construction (Design & Management) Regulations 2015'

REV				
Rev	Revision details	Chkd	Appd	Date
Drawn: MJR		DRAWING STATUS		
Checked: DMT				
Approved: GTR		ISSUE		
Date: 23/03/19				
File Ref: L:/trafficengineeringteam/				

Client: **Wiltshire Council**  
 Highways & Transport  
 County Hall,  
 Bythesea Road  
 Trowbridge  
 Wiltshire  
 BA14 8JN

Consultant: **ATKINS**  
 Atkins Highways & Transportation  
 3rd Floor  
 County Gate  
 County Way  
 Trowbridge  
 Wiltshire  
 BA14 7FJ

Project Name:  
 WILTSHIRE COUNCIL - HIGHWAYS & TRANSPORT  
 STANDARD HIGHWAY CONSTRUCTION DETAILS

Drawing Title:  
 SERIES 1200 TRAFFIC SIGNS & ROAD MARKINGS  
 SPEED LIMIT GATEWAY OPTIONS (WITHOUT COLOURED SURFACE)

**APPROVED**  
CONTRACTOR TO ENSURE LATEST DETAILS ARE USED

Original Sheet Size : A3  
 Scale : NOT TO SCALE    Dimensions : mm

Drawing No.    Rev:  
 WC-HCD-1200-D004    0

